

2021.6

A

B

C

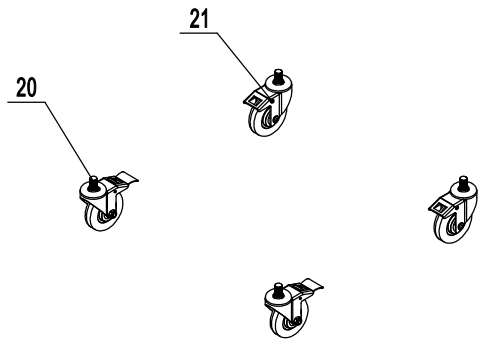
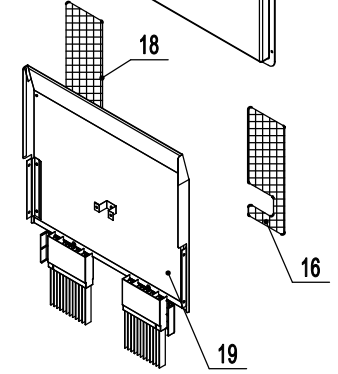
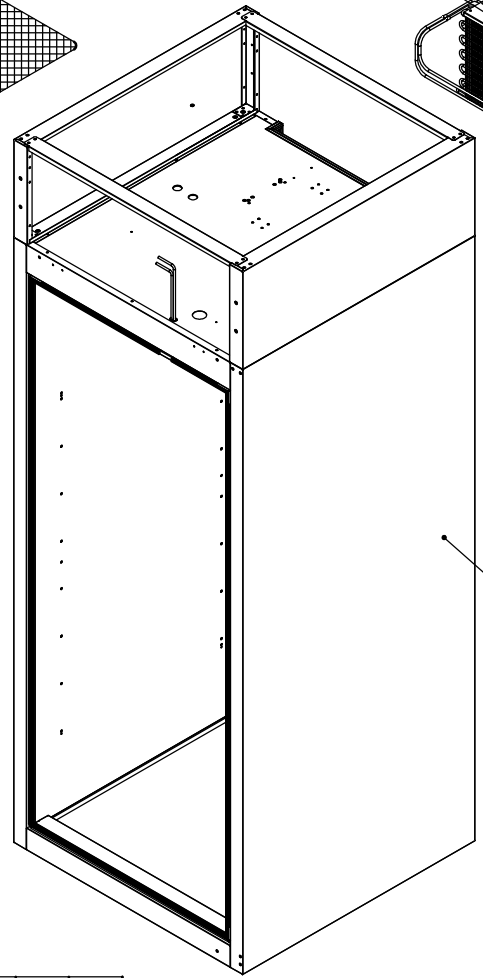
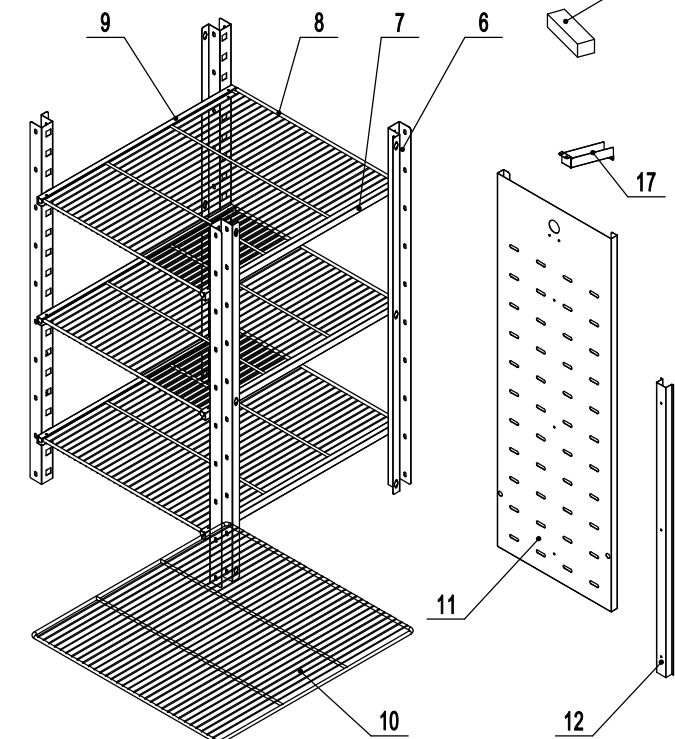
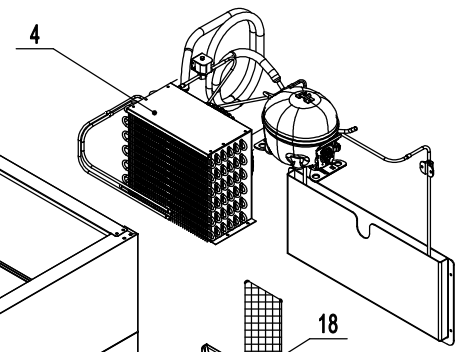
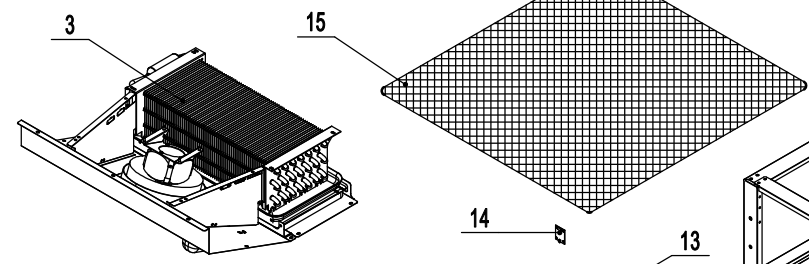
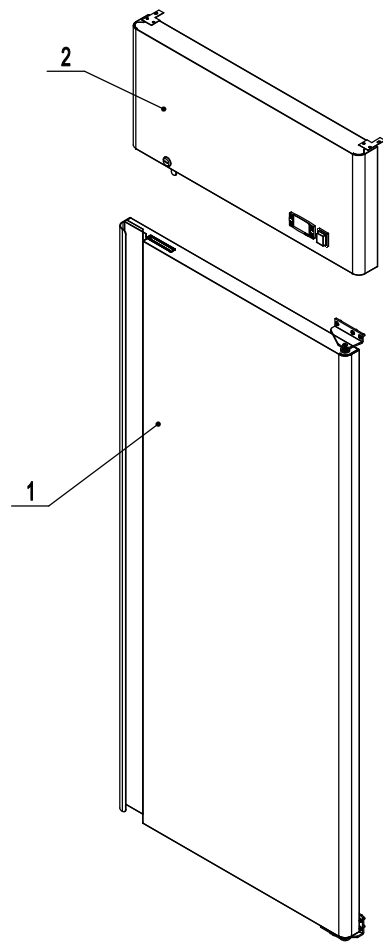
D

A

B

C

D



21	B0604413	4" Castor Without Brake	4吋重磅万向轮 (脚轮)	2														
20	B0604421	4" Castor With Brake	4吋带刹车重磅万向轮(脚轮)	2														
19	8001GR-WEA	Water evaporation assembly	水蒸发组件	1			9	80037407	shelf left chute	隔条(滑槽)左	SUS201	3						
18	W0402616-2	Right back of wire cage	箱体后背保护网(右)	1			8	W0402369	Shelf	食品架		3						
17	W0409081	A drain protection	排水管保护件	ABS	1		7	80037408	shelf right chute	隔条(滑槽)右	SUS201	3						
16	W0402616-1	Left back of wire cage	箱体后背保护网(左)	1			6	80037402	Pilastor For Shelf	食品架隔条	SUS201	4						
15	W0402664	top of wire cage	箱体顶部保护网	1			5	8001GR-CA	Cabinet Assembly	箱体组件		1						
14	W0399148	LED Controller	LED灯控制器	1			4	8113GR-CCA	Comp&Cond Assembly	冷凝机组		1						
13	W0399115	LED Power	LED灯电源	15W	1		3	8113GR-EA	Evaporator Assembly	蒸发组件		1						
12	80011041	Back wind deflector stents	后背导风板支架	SUS430	1		2	8113GR-MTPA	Top Panel Assembly	前罩组件		1						
11	80011042-430	Back wind deflector	后背导风板	SUS304	1		1	8113-MDA	Soilid Door Assembly	门体组件		1						
10	W0402366	Bottom Shelf	底层食品架	1														
									序号	Material code	English Name	Chinese Name	MATERIAL	QUANTITY	Remark	Price		

1

2

3

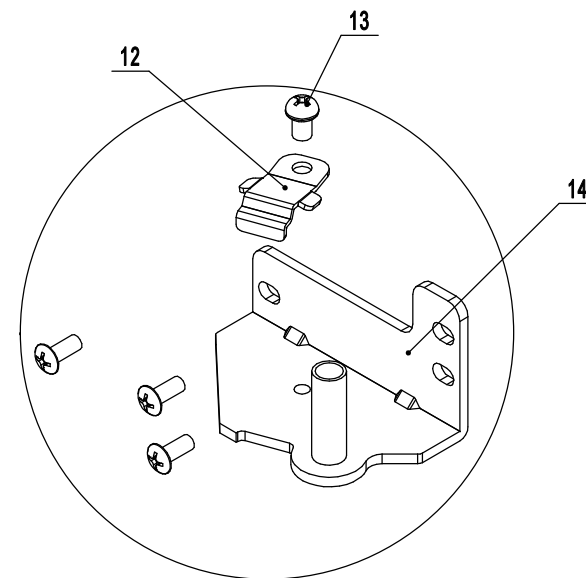
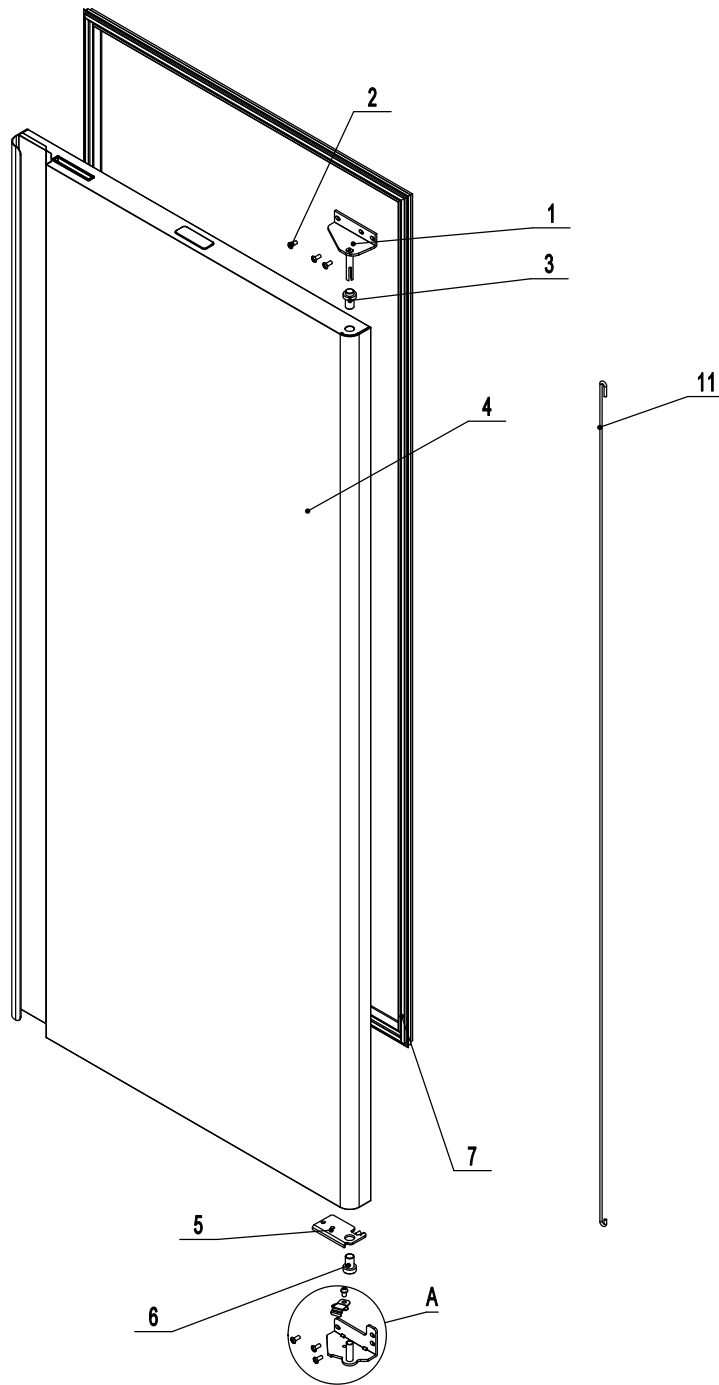
4

5

6

8113-MDA

2020. 2. 15



局部放大图A

14	W0604037	Right-Bottom Hinge	右下铰链	SUS304	1		
13	B0507015	SS Screw M6x8	M6x8不锈钢螺丝		1		
12	W0604038	Door Brake-Bottom	门自锁装置-下	SUS304	1		
11	W0604921	Door Spring Bar	门体发条		1		
7	W0404514	Door Gasket	门封条		1		
6	W0409843	Door Shaft Sleeve-Bottom	门体轴套	PA66	1		
5	W0604030	Door Brake -Right	门自锁装置-右	SUS304	1		
4	81130201	Right Door	右门体	SUS430	1		
3	W0409842	Door Shaft Sleeve-Top	门体轴套	PA66	1		
2	B0502207	SS Screw M5x12	M5x12不锈钢螺丝		6		
1	W0604033	Right-Top Hinge	右上铰链	SUS304	1		
序号	Material code	English Name	Chinese Name	MATERIAL	QUANTITY	Remark	Price

8113GR-MTPA

2021.6

A

B

C

D

1

2

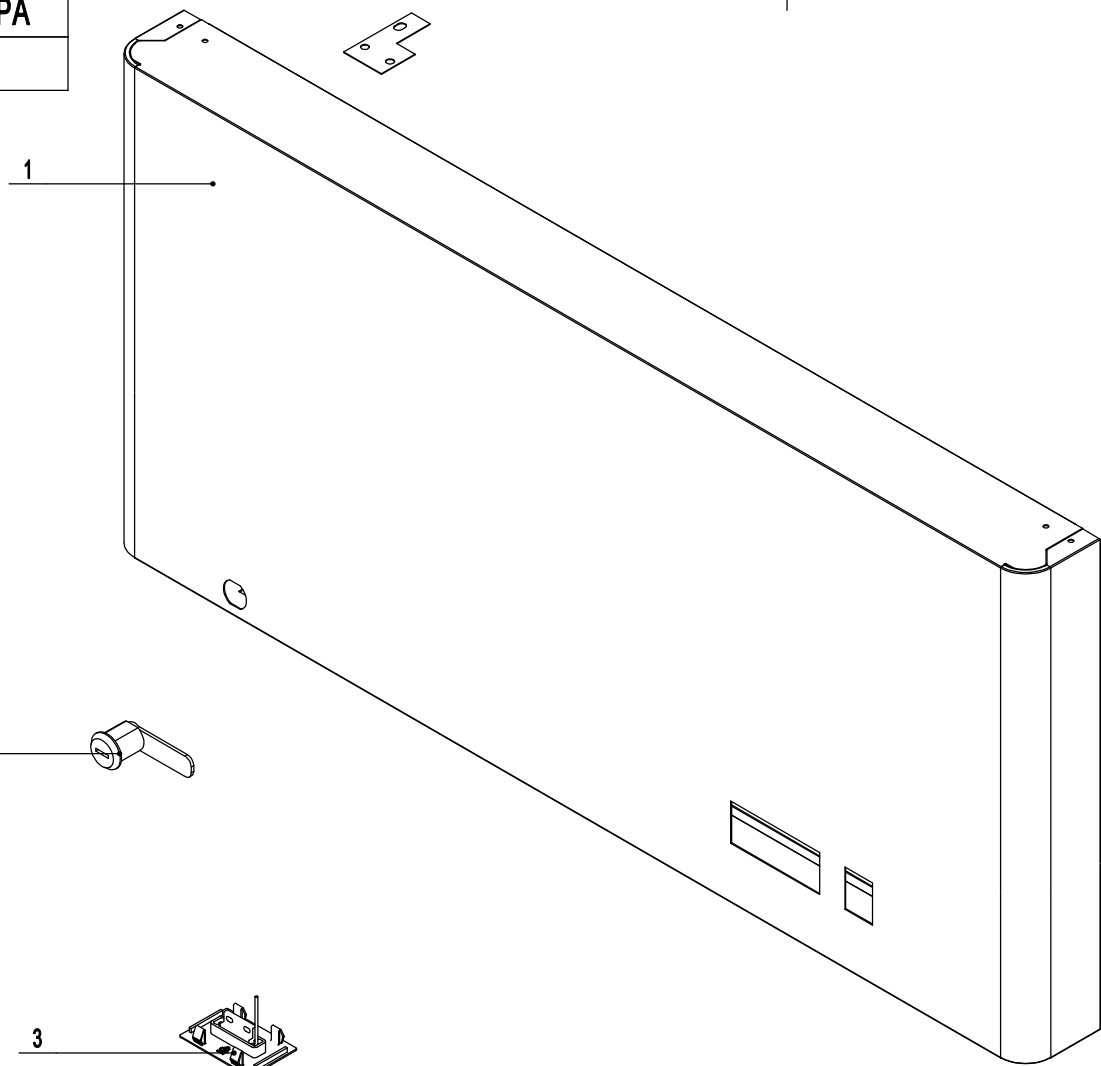
3

4

5

6

7



7	80021404	Fastener For Top Panel	上罩板加固件	SUS430	2	
6	W0302303	Controller Cover	防水后盖		1	
5	W0308019	Power Switch	电源开关	(GREEN)	1	
4	W0302166	Digital Controller	冷冻温控器	(BLUE)	1	
3	W0409161	Gate Magnetic Switch	门磁开关组件		1	
2	W0604007	Lock	冰箱锁		1	
1	81131425-430	FRONT TOP PANEL-TOP	整体前罩板	SUS430	1	
序号	Material code	English Name	Chinese Name	MATERIAL	QUANTITY	Remark

1

2

3

4

5

6

A

B

C

D

8113GR-EA

2020. 3. 24

A

B

C

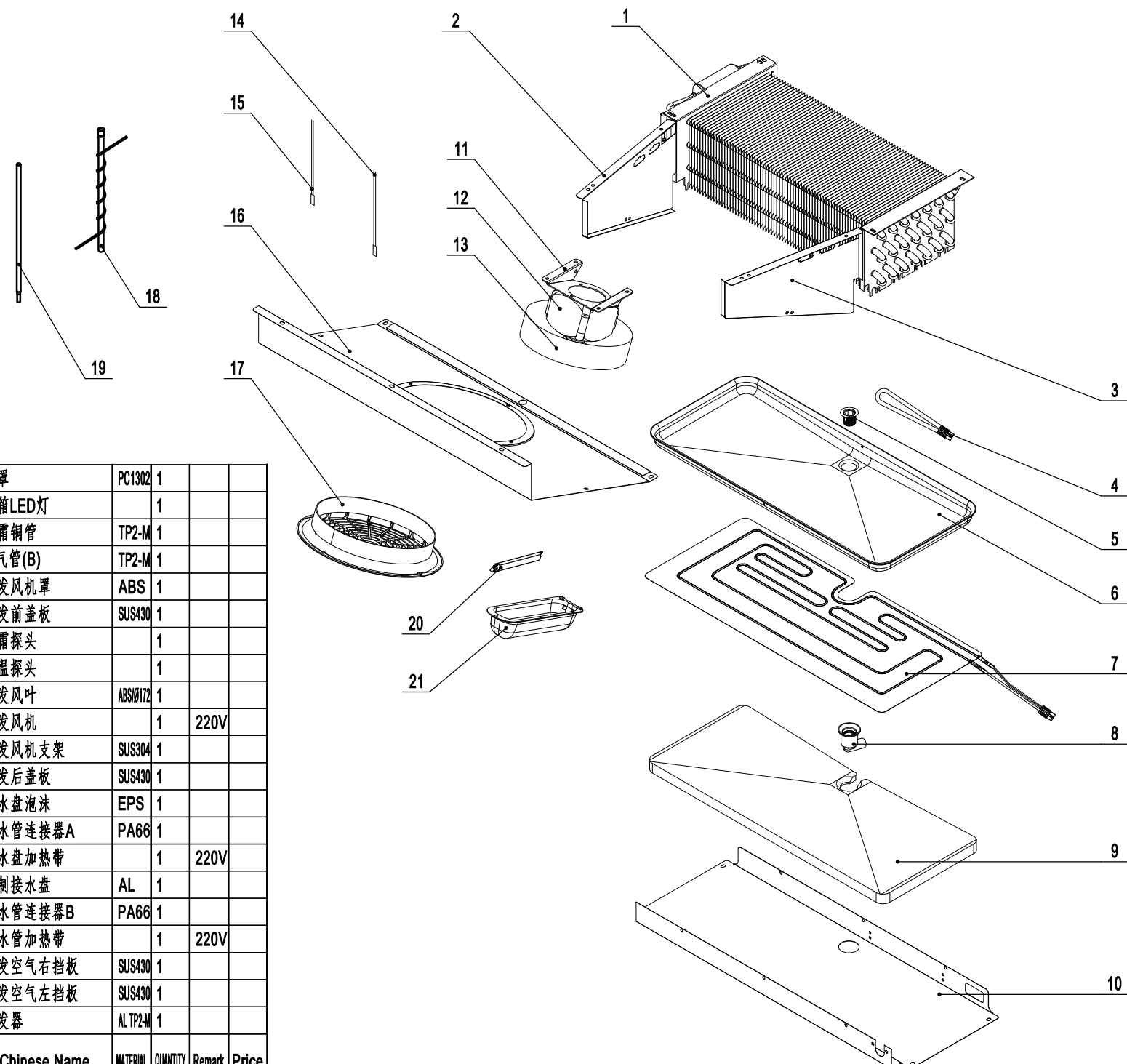
D

A

B

C

D



21	W0409863	Lamp Cover	灯罩	PC1302	1		
20	W0304086	Lamp	冰箱LED灯		1		
19	W0210284	Defrosting tube	化霜铜管	TP2-M	1		
18	W0210415	Low Pressure Coil Back to Comp	回气管(B)	TP2-M	1		
17	W0409080	Evap Fan Motor Cover	蒸发风机罩	ABS	1		
16	81131204-430	Evap Front Cover	蒸发前盖板	SUS430	1		
15	W0302317	Evap Temp Probe	化霜探头		1		
14	W0302316	Room Temp Probe	感温探头		1		
13	W0301078-01	Evap Fan Blade	蒸发风叶	ABS/6172	1		
12	W0301912-01	Evap Fan Motor	蒸发风机		1	220V	
11	80021501	Evap Fan Braket	蒸发风机支架	SUS304	1		
10	81131203-430	Drain Pan Cover	蒸发后盖板	SUS430	1		
9	W0803011	Drain Pan Foam	接水盘泡沫	EPS	1		
8	W0409858	Drain Hose Connector A	排水管连接器A	PA66	1		
7	W0310080	Drain Pan Heater	接水盘加热带		1	220V	
6	80012001	Drain Pan	铝制接水盘	AL	1		
5	W0409859	Drain Hose Connector B	排水管连接器B	PA66	1		
4	W0310067	Drain Hose Heater	排水管加热带		1	220V	
3	80021204	Evap Right Cover	蒸发空气右挡板	SUS430	1		
2	80021203	Evap Left Cover	蒸发空气左挡板	SUS430	1		
1	W0202134	Evaporator	蒸发器	AL TP2-M	1		

序号	Material code	English Name	Chinese Name	MATERIAL	QUANTITY	Remark	Price
----	---------------	--------------	--------------	----------	----------	--------	-------

1

2

3

4

5

6

8113GR-CCA-In

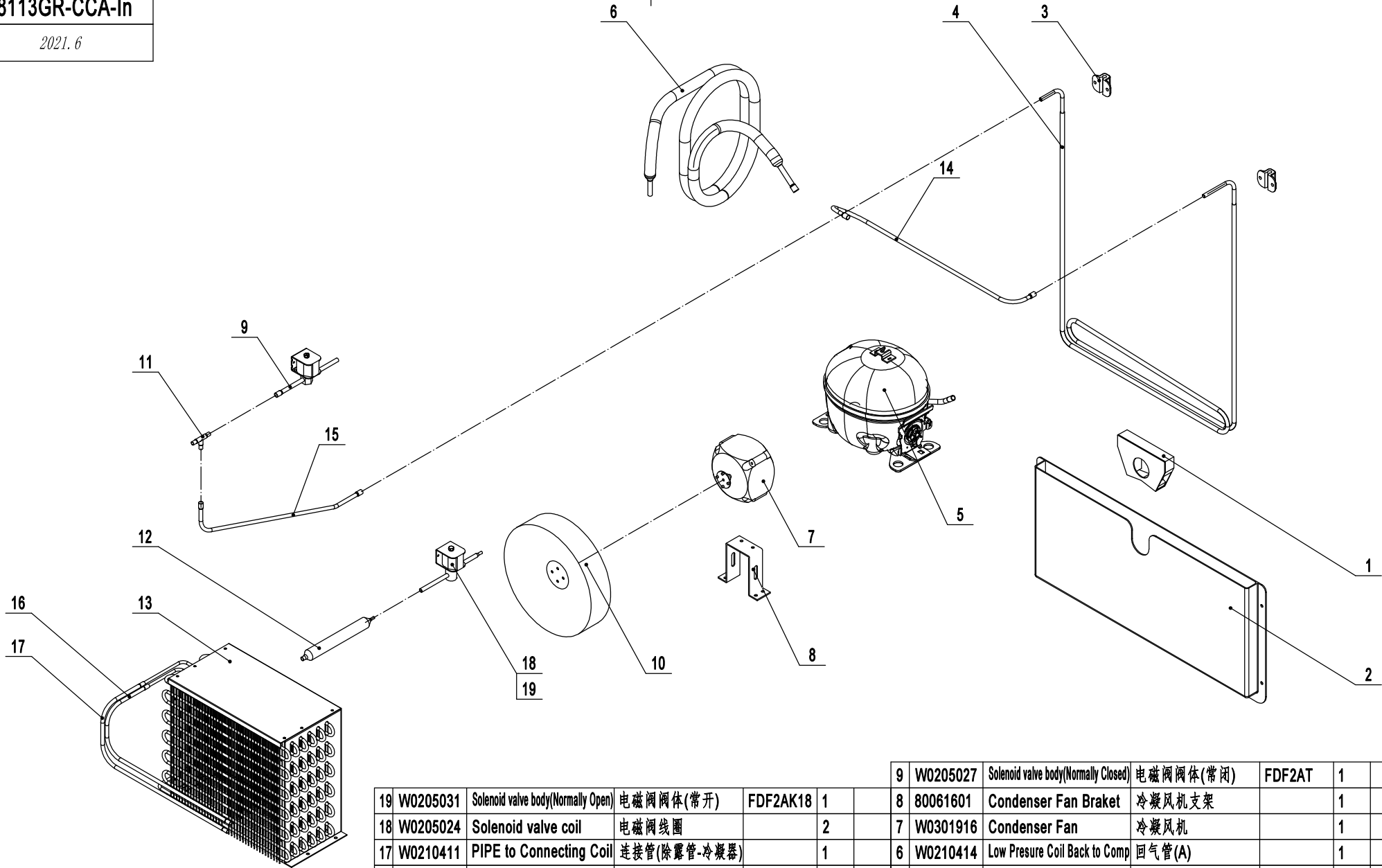
2021.6

A

B

C

D

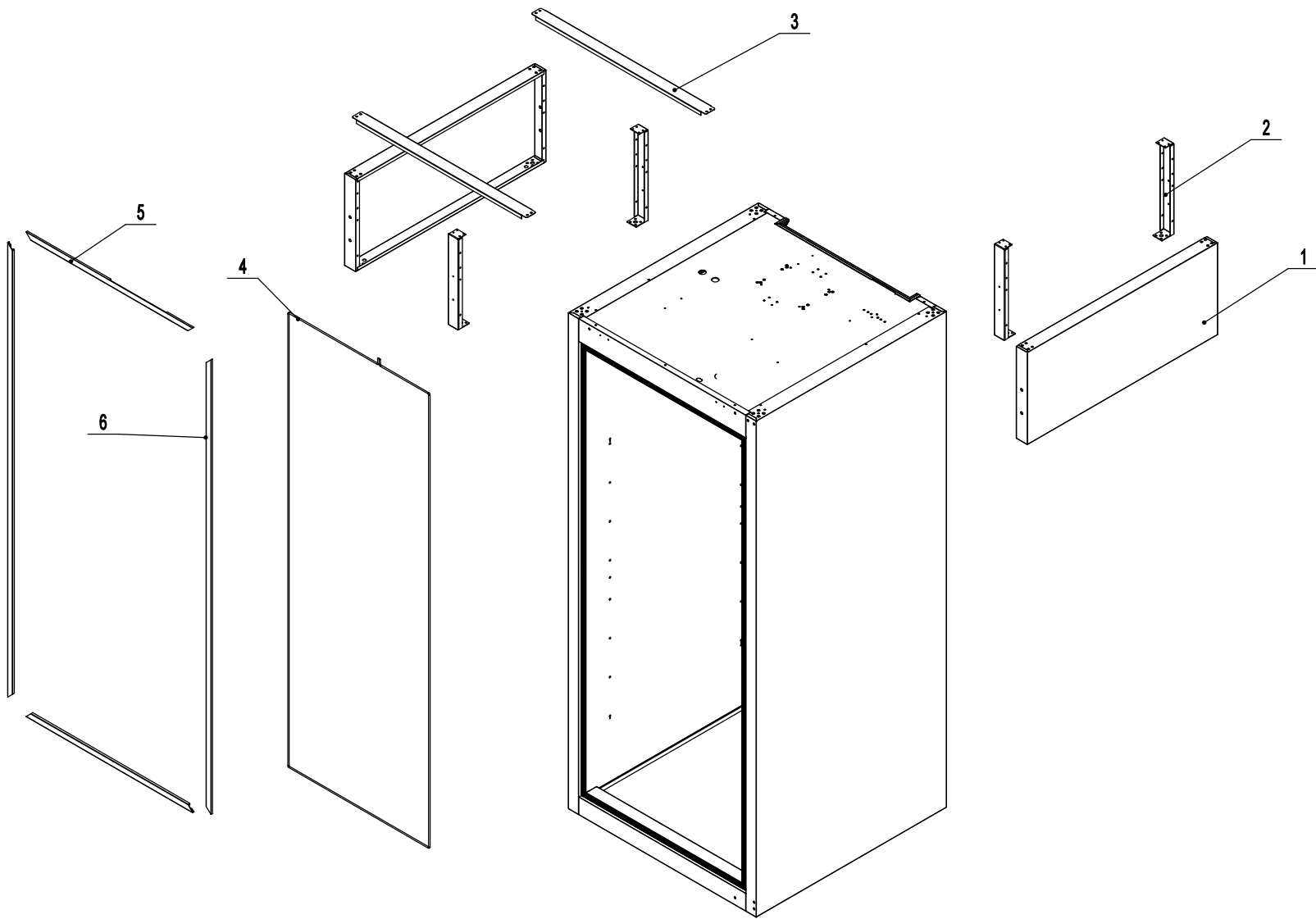


9	W0205027	Solenoid valve body(Normally Closed)	电磁阀阀体(常闭)	DFD2AT	1		
8	80061601	Condenser Fan Bracket	冷凝风机支架		1		
7	W0301916	Condenser Fan	冷凝风机		1		
6	W0210414	Low Pressure Coil Back to Comp	回气管(A)		1		
5	W0201326	Compressor	压缩机		1		
4	W0210413	High Pressure Coil	散热管		1		
3	W0413062	Rubber Fixing Block	散热管固定垫		2		
2	W0409071	Back High Pressure Coil Pan	后背蒸发包		1		
1	W0409078	Air pressure balance device	后背蒸发包水封		1		
		11	W0208017	'T' Three way connecting pipe	T型三通	1	
		10	W0301061	Condenser Fan Blade	冷凝风机叶	1	
19	W0205031	Solenoid valve body(Normally Open)	电磁阀阀体(常开)	DFD2AK18	1		
18	W0205024	Solenoid valve coil	电磁阀线圈		2		
17	W0210411	PIPE to Connecting Coil	连接管(除露管-冷凝器)		1		
16	W0210412	Connecting Coil to PIPE	连接管(冷凝器-除露管)		1		
15	W0210282	Connecting Coil to tee	连接管(散热管-三通)		1		
14	W0210452	Connecting Coil From Compressor	连接管(压缩机-散热管)		1		
13	W0203073	Condenser	冷凝器		1		
12	W0204101	Dry Filter	干燥过滤器		1		

Material code	English Name	Chinese Name	MATERIAL	QUANTITY	Remark
19	W0205031	Solenoid valve body(Normally Open)	电磁阀阀体(常开)	DFD2AK18	1
18	W0205024	Solenoid valve coil	电磁阀线圈		2
17	W0210411	PIPE to Connecting Coil	连接管(除露管-冷凝器)		1
16	W0210412	Connecting Coil to PIPE	连接管(冷凝器-除露管)		1
15	W0210282	Connecting Coil to tee	连接管(散热管-三通)		1
14	W0210452	Connecting Coil From Compressor	连接管(压缩机-散热管)		1
13	W0203073	Condenser	冷凝器		1
12	W0204101	Dry Filter	干燥过滤器		1
11	W0208017	'T' Three way connecting pipe	T型三通		1
10	W0301061	Condenser Fan Blade	冷凝风机叶		1

8001GR-CA

2021.6



6	W04102045	Left-Right Frame Cover	箱体左右接口盖		2		
5	W04102044	Top-Bottom Frame Cover	箱体上下接口盖		2		
4	W0210261	Cabinet Heater PIPE	箱体除露管		1		
3	80011811	Top Long Fixing Rack	箱体横向固定架		2		
2	80011810	Side Panel Frame	箱体支撑架		4		
1	80010935-430	Top Side Panel	箱体上侧板	SUS430	2		
序号	Material code	English Name	Chinese Name	MATERIAL	QUANTITY	Remark	Price

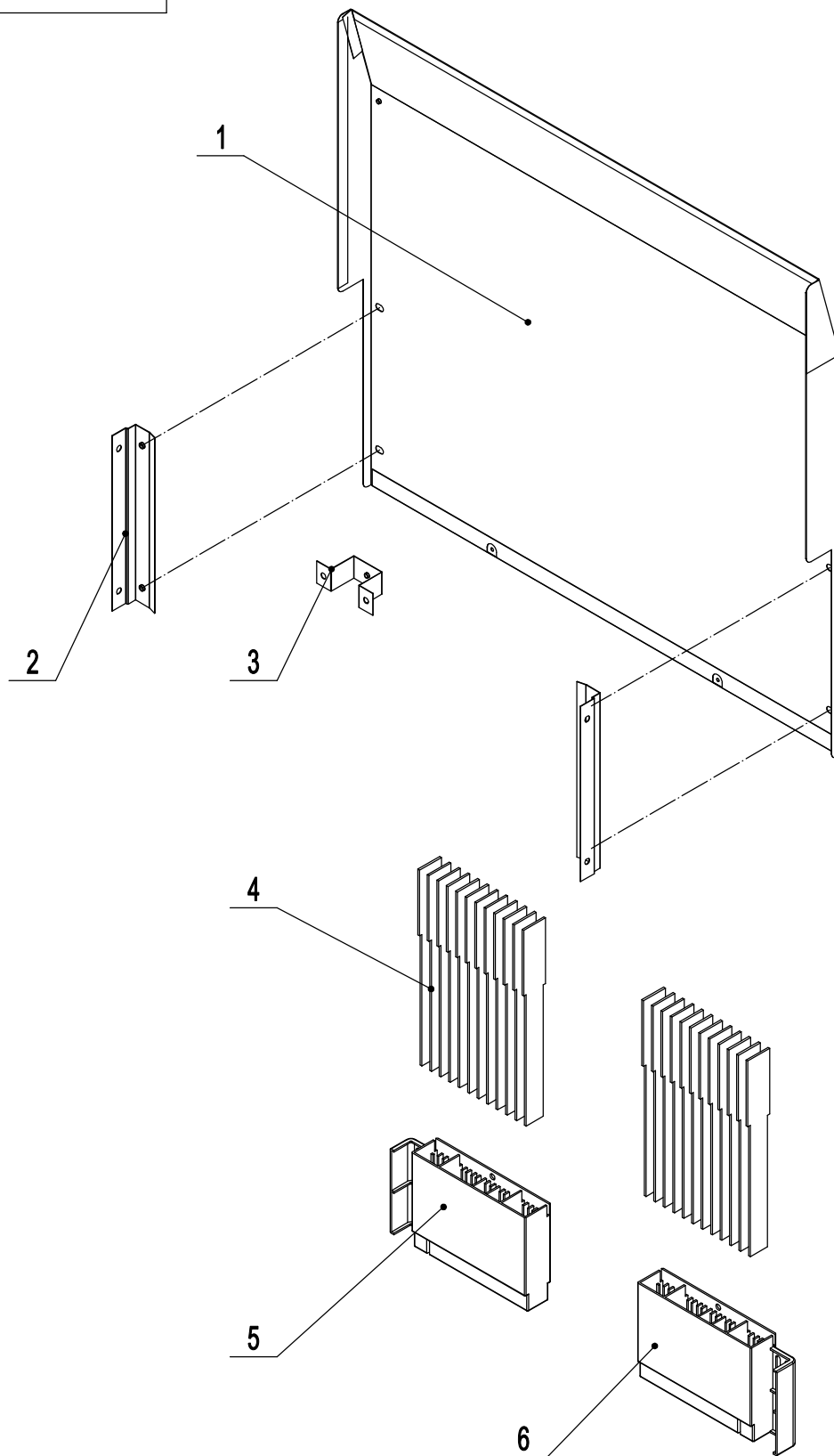
8001GR-WEA

A

B

C

D



6	W0409086	Left bracket for Absorbent paper	左吸水纸支架	1		
5	W0409087	Right bracket for Absorbent paper	右吸水纸支架	1		
4	W0499920	Absorbent paper	吸水纸	24		
3	80011814	Middle fixing plate for Air deflector	蒸发包导风板中固定件	1		
2	80011813	Side fixing plate for Air deflector	蒸发包导风板侧固定件	2		
1	80010941	Air deflector	蒸发包导风板	1		

序号	Material code	English Name	Chinese Name	MATERIAL	QUANTITY	Remark	Price
----	---------------	--------------	--------------	----------	----------	--------	-------

1

2

3

4

A

B

C

D